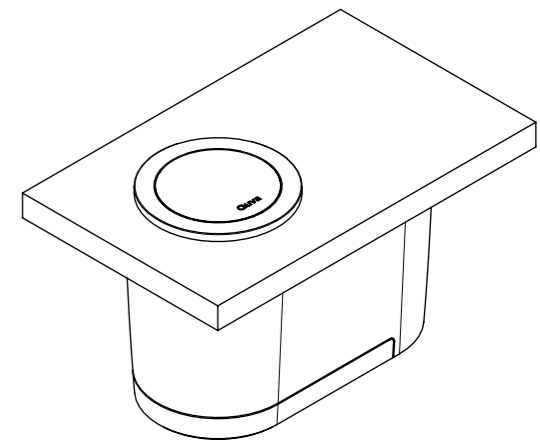
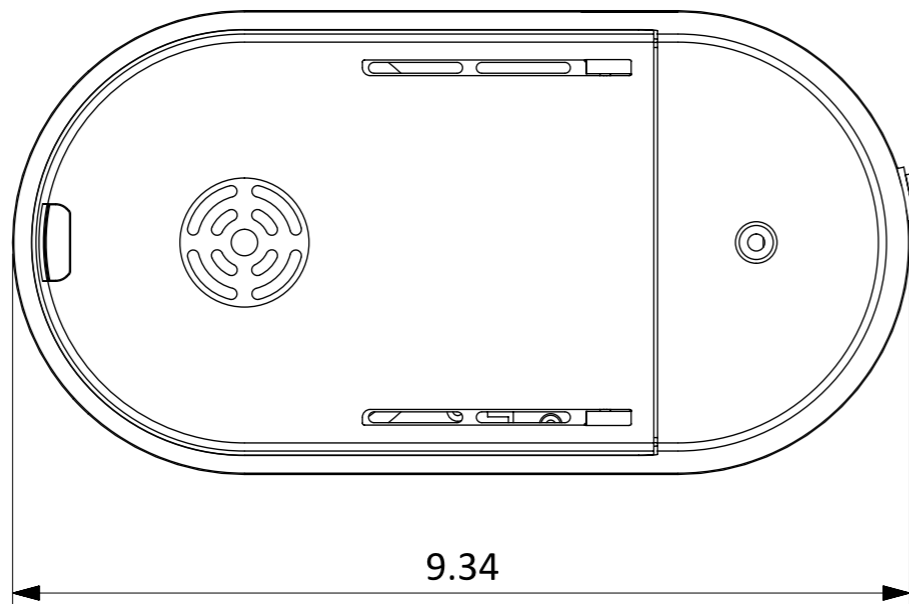
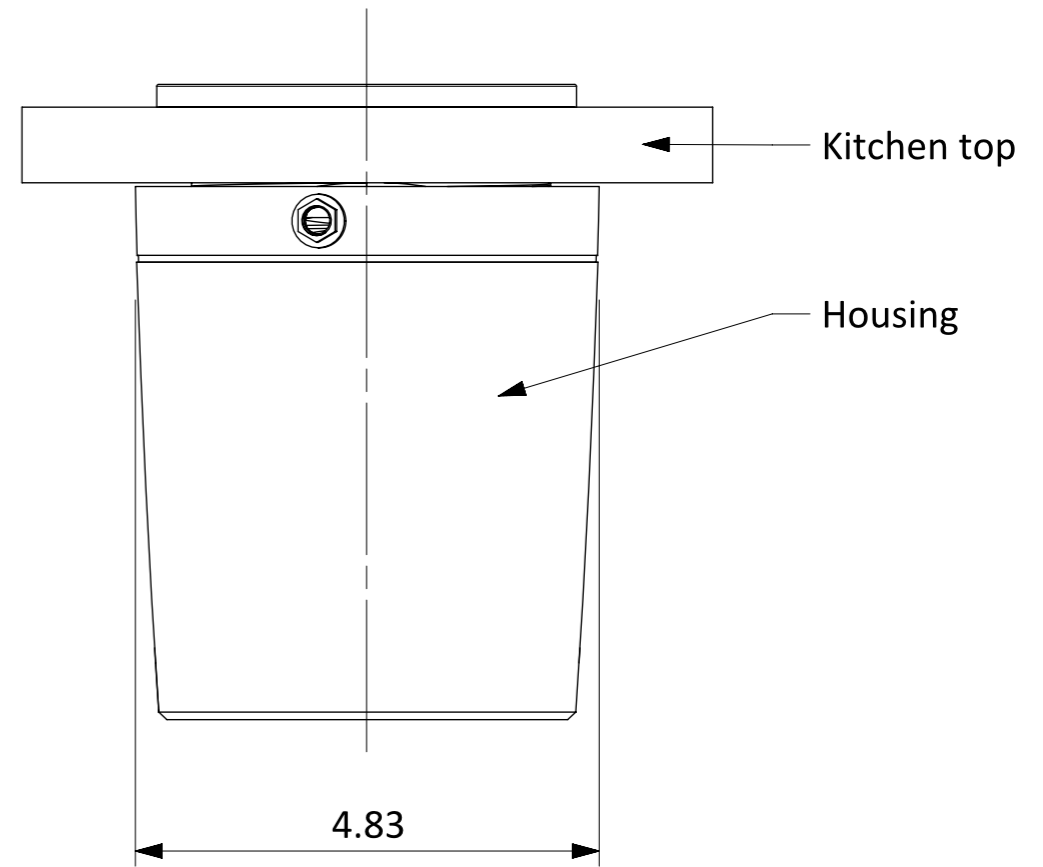
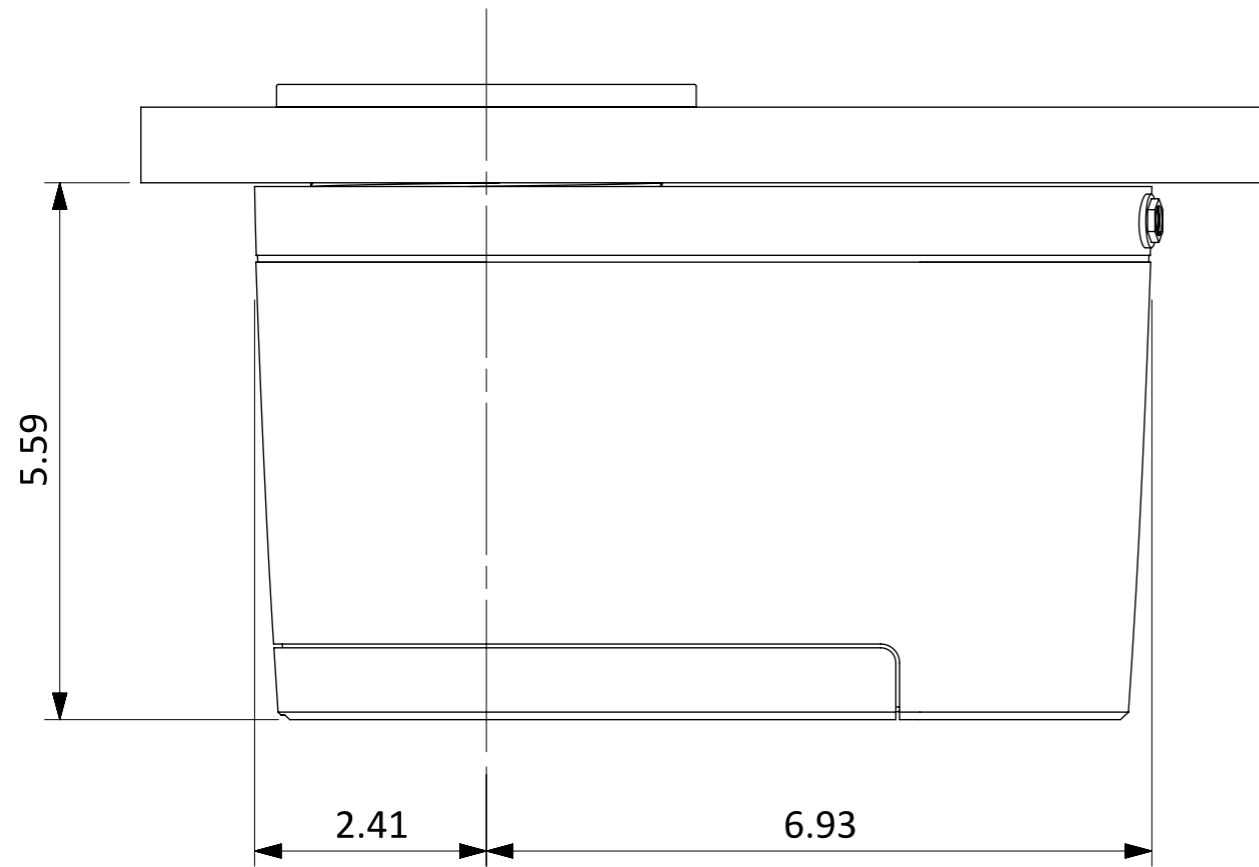
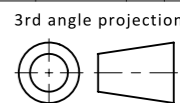


Revision:	Description revision:	Date (yyyy-mm-dd):	Revised by:	Checked:
A	Mounting dimensions - Development status	2017-12-07	RdV	ES



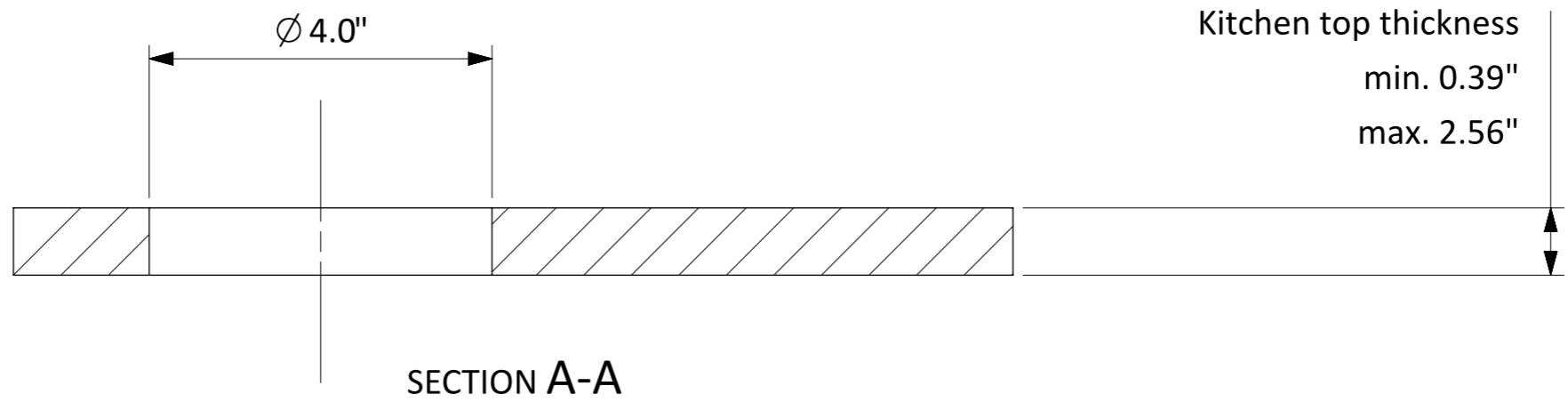
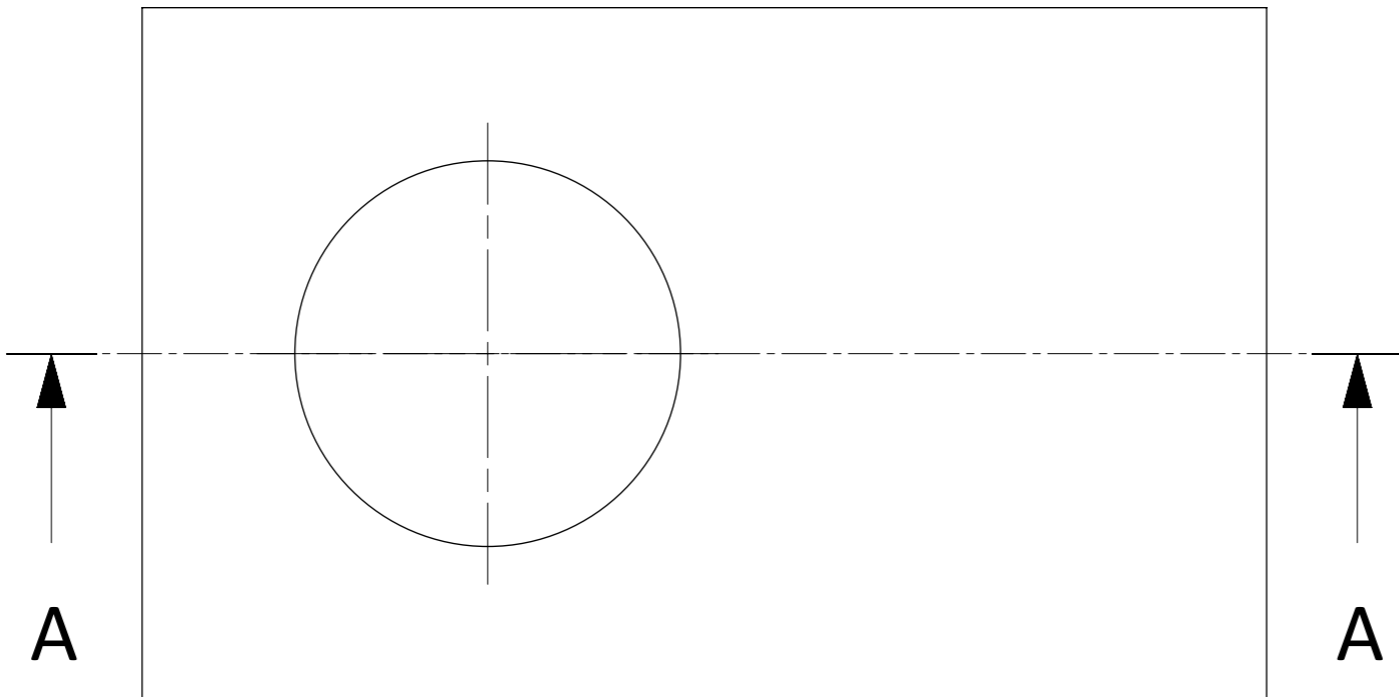
Mounting method:	Date (yyyy-mm-dd):	Drawn by:	Checked:
Surface mounting	2017-12-07	RdV	ES
Drawing type:	Size:	Scale:	Units:
Mounting dimensions	A3	1:2	inch
	Status:	Sheet:	
	Development version	1/2	
	Document name:		
	Quva- Surface mounting - 20171207.PDF		
	3rd angle projection	Revision:	
		A	


Quva®



A

Revision:	Description revision:	Date (yyyy-mm-dd):	Revised by:	Checked:
A	Kitchen top hole dimensions - Development status	2017-12-07	RdV	ES



Mounting method:	Date (yyyy-mm-dd):	Drawn by:	Checked:
Surface mounting	2017-12-07	RdV	ES
Drawing type:	Size:	Scale:	Units:
Hole dimensions	A3	1:2	inch
	Status:	Revision:	
	Development version	A	
Document name:		3rd angle projection	
Quva- Surface mounting - 20171207.PDF		