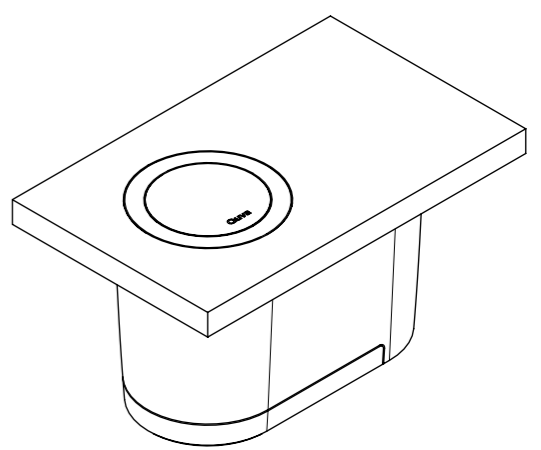
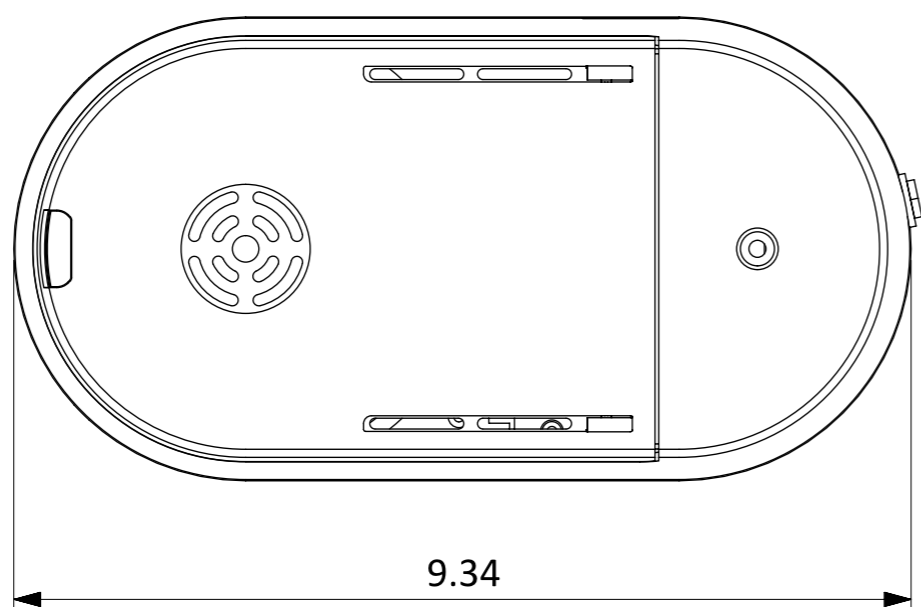
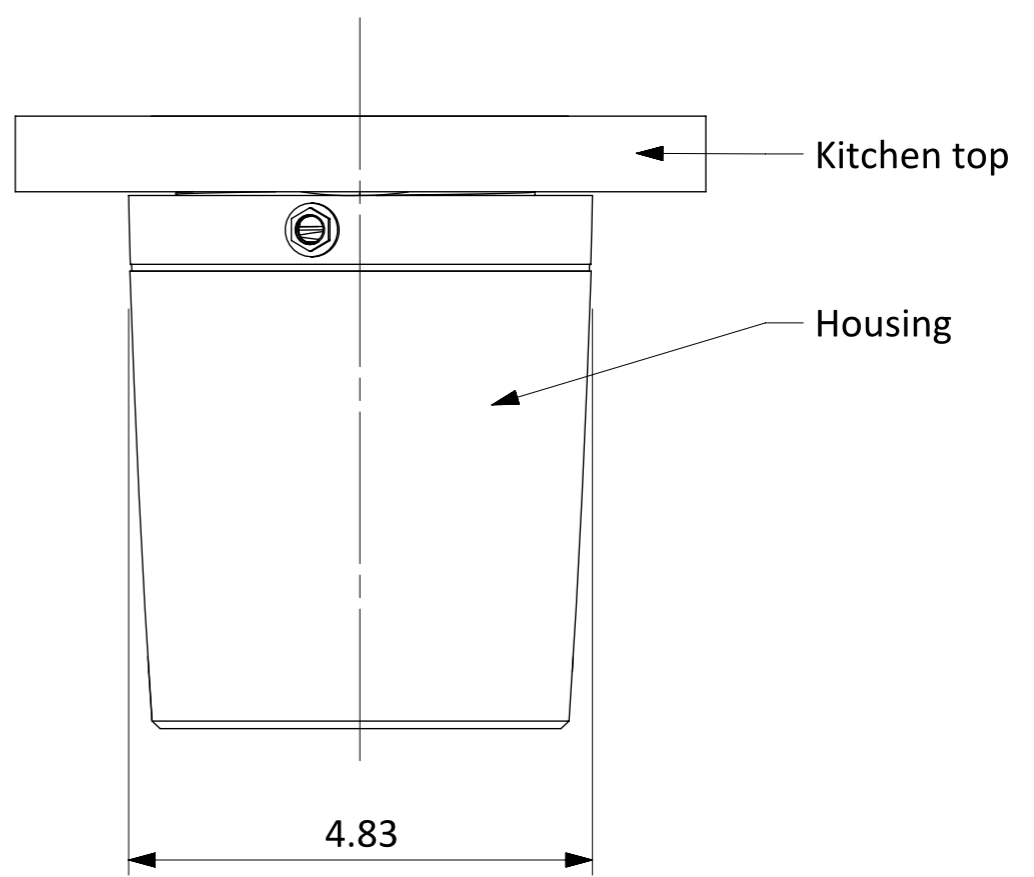
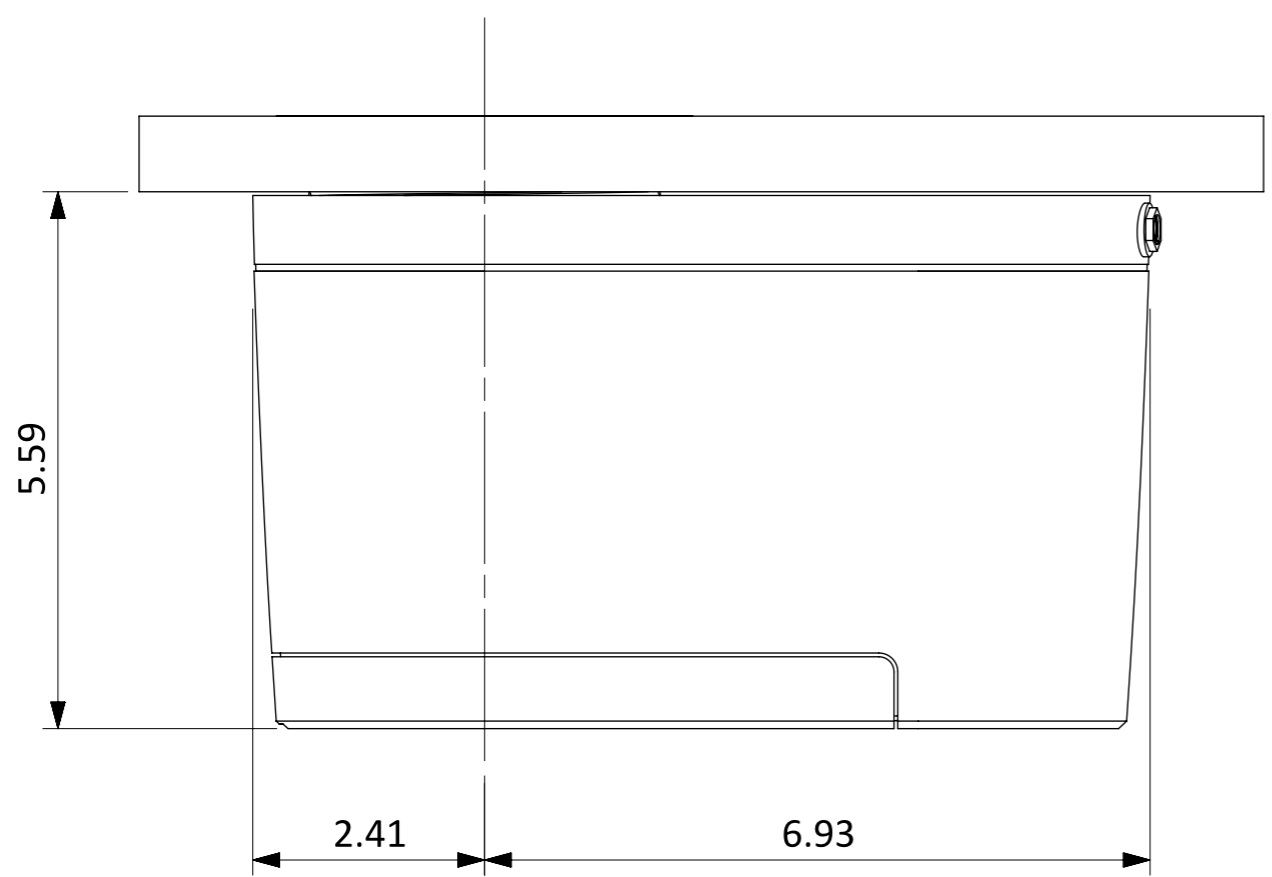

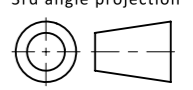


1 2 3 4 5 6 7 8

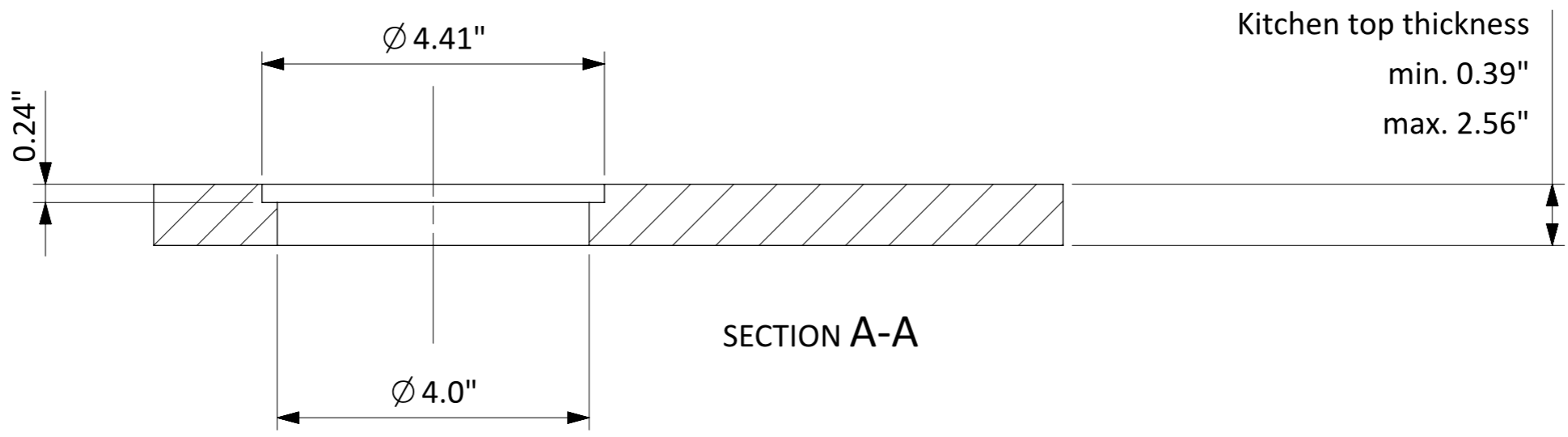
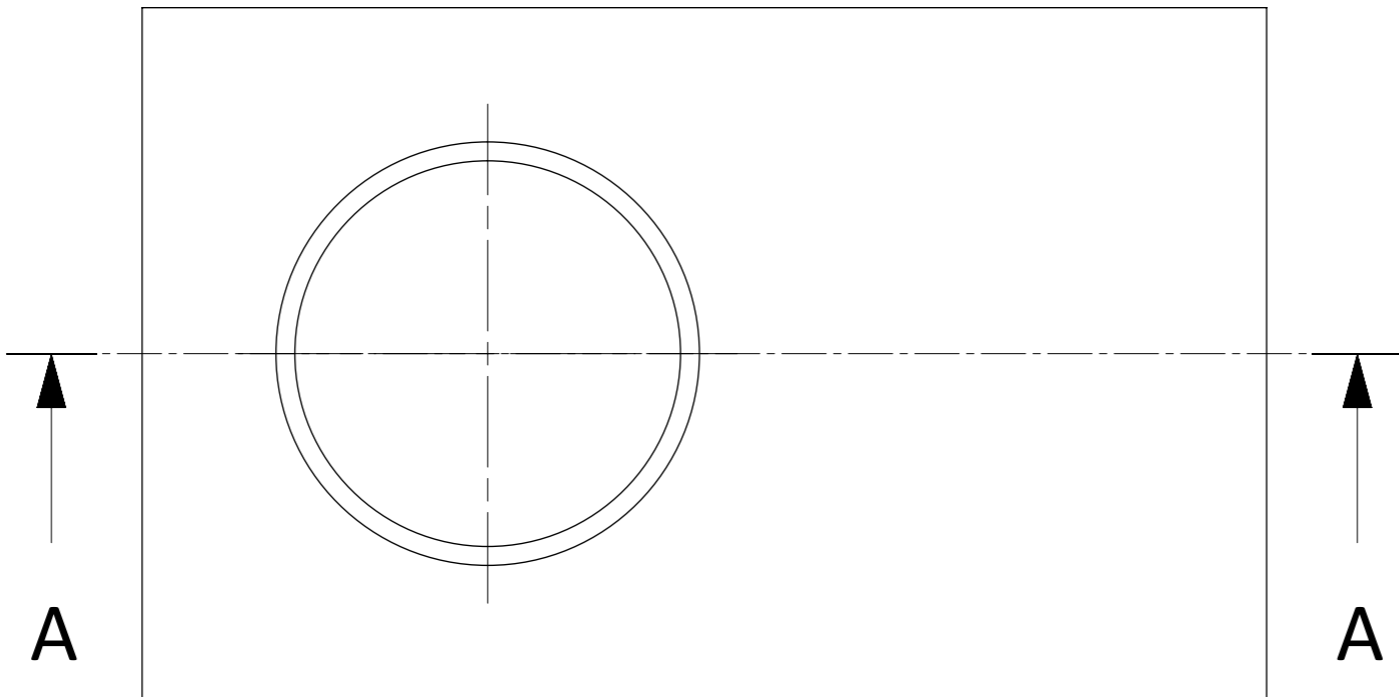
Revision:	Description revision:	Date (yyyy-mm-dd):	Revised by:	Checked:
<b>A</b>	<b>Mounting dimensions - Development status</b>	<b>2017-12-07</b>	<b>RdV</b>	<b>ES</b>




Mounting method:	Date (yyyy-mm-dd):	Drawn by:	Checked:
<b>Flush mounting</b>	<b>2017-12-07</b>	<b>RdV</b>	<b>ES</b>
Drawing type:	Size:	Scale:	Units:
<b>Mounting dimensions</b>	<b>A3</b>	<b>1:2</b>	<b>inch</b>
	Status:	Revision:	
	<b>Development version</b>	<b>A</b>	
Document name:		3rd angle projection	
<b>Quva- Flush mounting - 20171207.PDF</b>			

1 2 3 4 5 6 7 8

Revision:	Description revision:	Date (yyyy-mm-dd):	Revised by:	Checked:
<b>A</b>	<b>Kitchen top hole dimensions - Development status</b>	<b>2017-12-07</b>	<b>RdV</b>	<b>ES</b>



Kitchen top thickness  
min. 0.39"  
max. 2.56"

Mounting method:	Date (yyyy-mm-dd):	Drawn by:	Checked:
<b>Flush mounting</b>	<b>2017-12-07</b>	<b>RdV</b>	<b>ES</b>
Drawing type:	Size:	Scale:	Units:
<b>Hole dimensions</b>	<b>A3</b>	<b>1:2</b>	<b>inch</b>
	Status:	Revision:	
	<b>Development version</b>	<b>A</b>	
Document name:		3rd angle projection	
<b>Quva- Flush mounting - 20171207.PDF</b>		