

Installation Manual

Read all instructions prior to installing this Quva product



Important

Altering the kitchen countertop is required in order to install this product and the appliance needs to be connected to the mains. Therefore, the installation needs to be performed by a qualified technician. Determine the most suitable location for mounting under the countertop that will not interfere with drawers or other pieces of kitchen furniture prior to fitting and placing the Quva appliance.

This Quva product is powered by a CE certified 100-240V – 12V 2A power adapter.

For safe use of this product, it is important to note that vacuum sealing **is not** a substitute for canning, cooling, or freezing food items. After sealing, perishables must be refrigerated or frozen. Due to the risk of anaerobic bacteria, certain types of fresh foods should not be vacuum sealed. This appliance is not to be used by children or persons with reduced physical, sensory, or mental capabilities. To ensure safe and effective use of this Quva product, the owner and users should read the complete user manual carefully prior to use.

Quva products and accessories are warranted for 2 years. To learn more about the warranty terms and conditions, please visit www.quvaproducts.com. Note, Quva is not liable for any loss, damages, or expenses incurred as a result of not following the installation instructions.

Technical specification

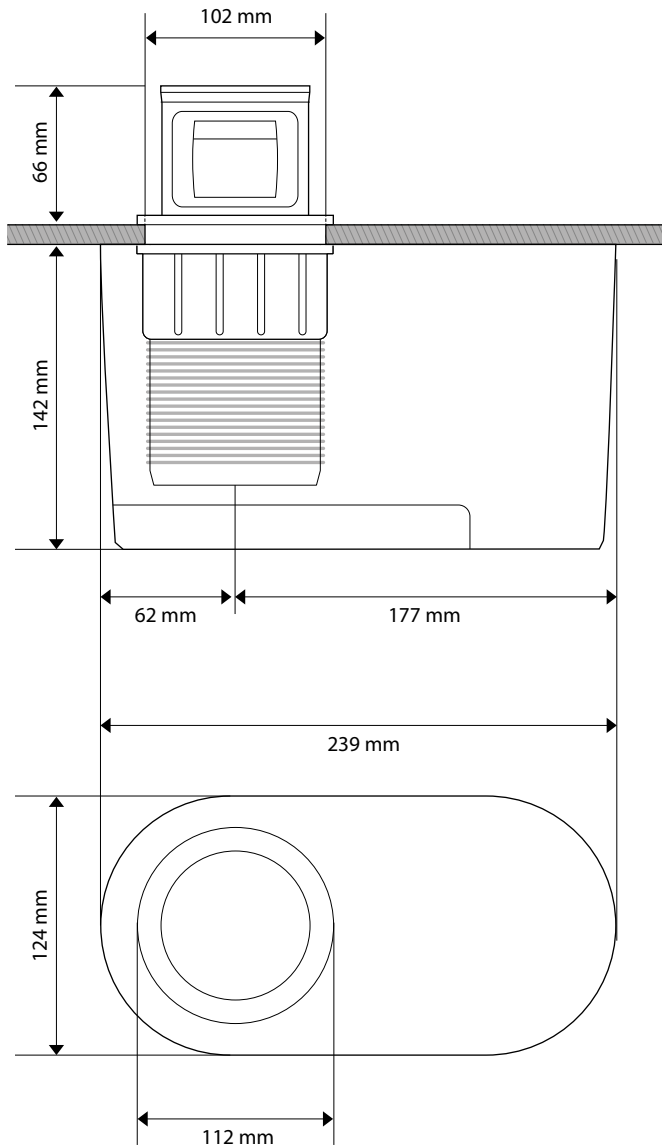
Power rating	max. 24W
Stand-by consumption	max. 1W
Diameter (for placement)	102 mm 4 inch
Max. countertop thickness	70mm 2.76 inch
Min. countertop thickness	2 mm 0.1 inch

Dimensions above countertop

Diameter	112 mm 4.4 inch
Max height (when in use)	• 66mm 2.6 inch surface mounting • 60 mm 2.4 inch flush mounting
Height (when not in use)	• 6 mm 0.23 inch surface mounting • 0 mm 0 inch flush mounting

Dimensions below countertop

(l x w x h)	239 x 124 x 142 mm 9.4 x 4.9 x 5.6 inch
-------------	-------------------------------------------

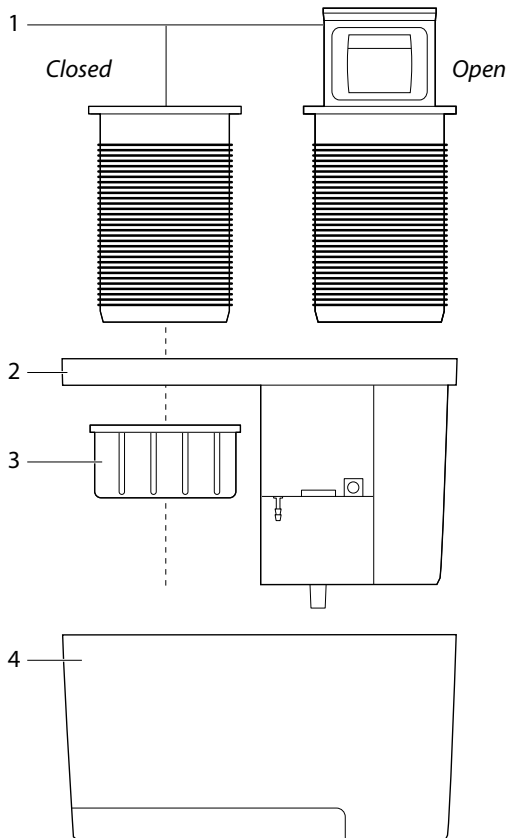


Contents

Quva appliance	Accessories starter pack (to be handed over to the Quva user)
<ul style="list-style-type: none">• Power adapter• Quva vacuum appliance	<ul style="list-style-type: none">• 1 x 2 Liter 8 cup Fresh Food Container• 1 x 1 Liter 4 cup Fresh Food Container• 5 x Vacuum Zipper Bags large• 5 x Vacuum Zipper Bags small• 2 x Wine Savers

Overview of the Quva appliance

1. Pop-up cylinder
2. Base frame
3. Lock ring
4. Housing



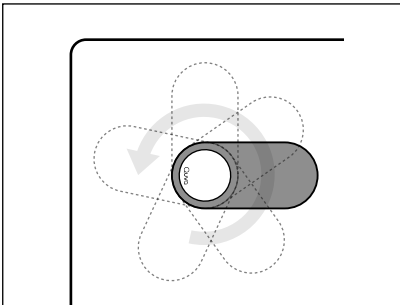
Installation steps

- A. Preparing the kitchen countertop
- B. Installing the appliance and connecting it to the mains
- C. Confirming proper installation

A

Preparing the kitchen countertop

- Ensure there is sufficient space beneath the countertop for the Quva base frame and housing.
- The length of the power cable is 200 cm | 78 inches
- The Quva housing can be placed in any direction relative to the pop-up unit and control panel. This makes it easier to find a suitable location in the kitchen.

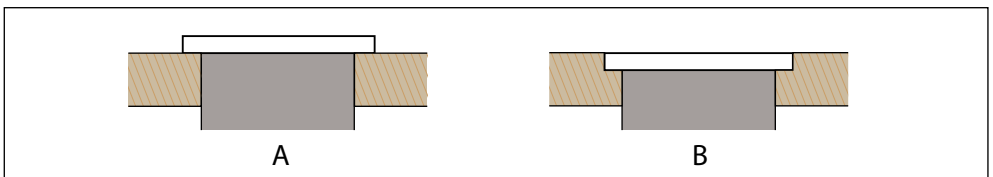


IMPORTANT

Keep Quva's housing accessible for servicing purposes.

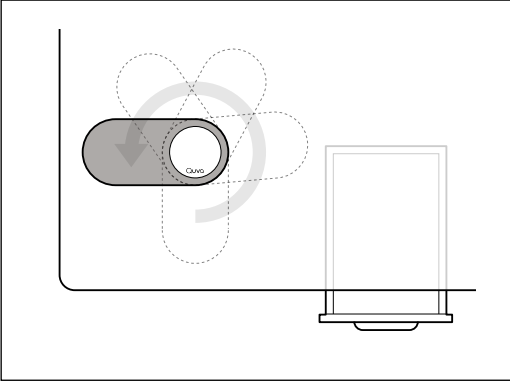
There are two ways to install your Quva:

- (A) Surface mounting, or
- (B) Flush mounting (which requires a different preparation of the kitchen countertop).



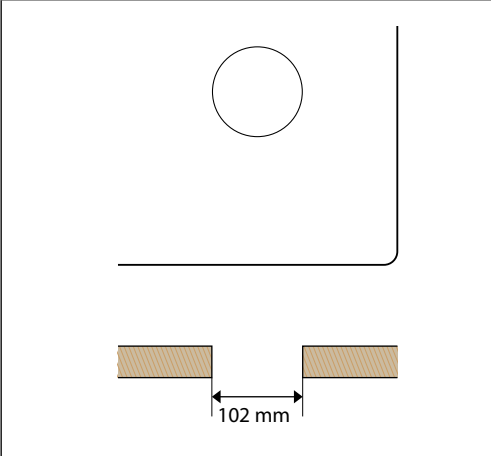
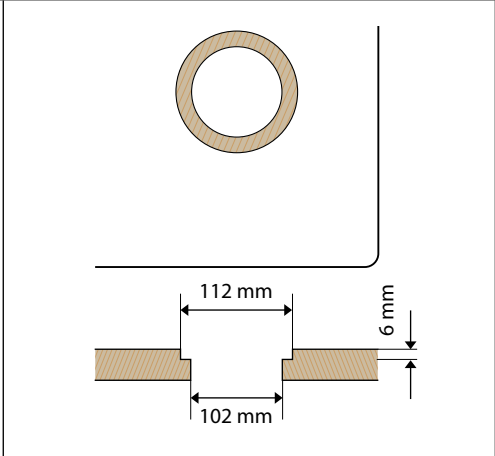
Determine the appropriate countertop location for your Quva appliance

As noted, the Quva base frame and housing can be positioned in any direction relative to the control panel. To enhance ease of use, it is recommended to place the Quva appliance slightly to the back of the countertop. Placing the frame with the connectors facing forward will make it easier to place the connectors back once the Quva frame has been fixed in place.



Milling and drilling

For surface mounting, drill a 102 mm | 4-inch hole using a drill type that is suitable for the countertop material. For flush mounting, in addition to drilling a 102 mm | 4-inch hole, 6 mm | 0.23-inch rim needs to be milled in the countertop. It is advisable to have the countertop supplier prepare the countertop for Quva installation.

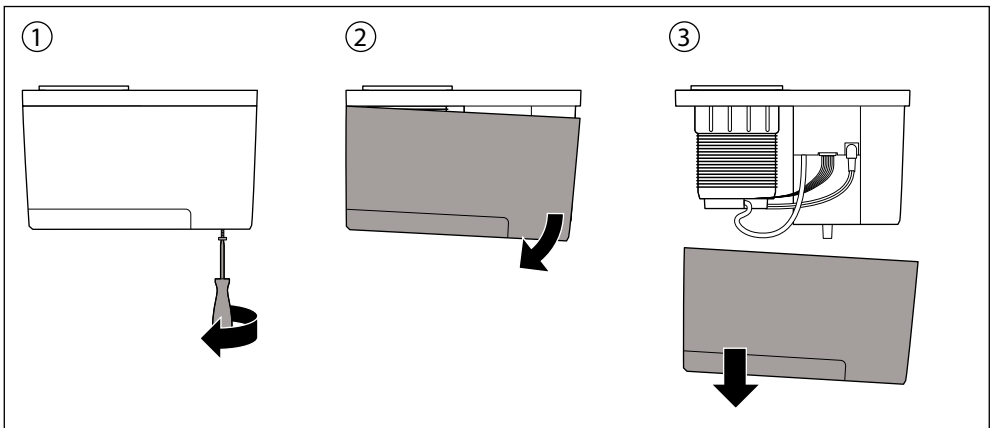
Surface mounting	Flush mounting
	

B

Installing the appliance and connecting it to the mains

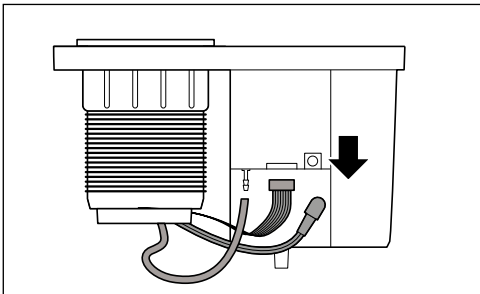
Remove the housing

Using a Phillips-head screwdriver, open the Quva housing by loosening the screw that is positioned at the bottom. Tilt the housing and pull it away from the base frame.

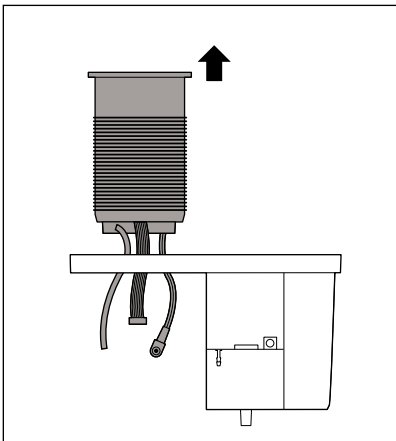
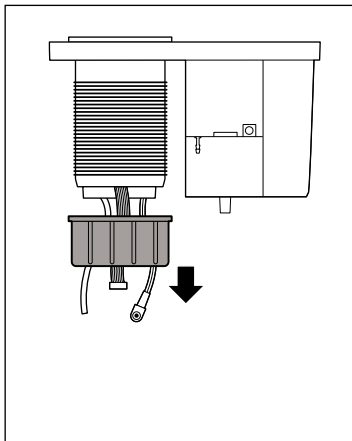


Removing the pop-up cylinder from the base frame

- Disconnect the vacuum hose
- Disconnect the 2 electronic connectors



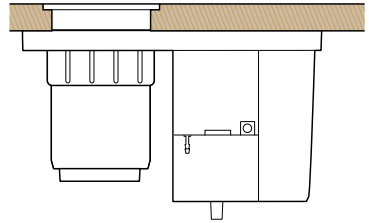
Turn the lock ring clockwise and remove it from the cylinder.



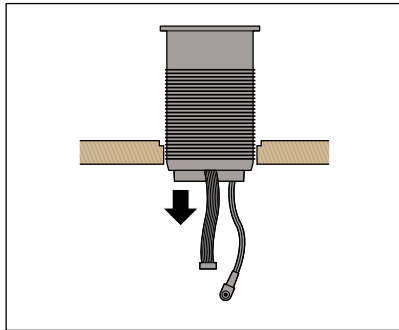
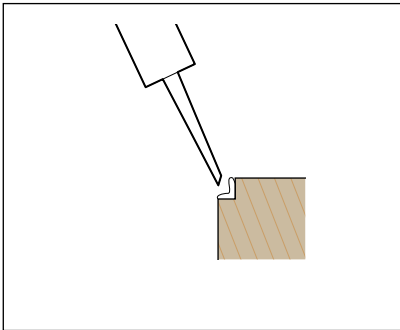
Note, placing the frame with the connectors facing forward will make it easier to put the connectors in place once the Quva frame has been affixed.

SEQUENCE 1

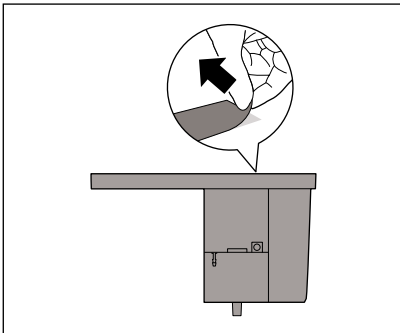
Follow the sequence outlined below to place the frame with the connectors facing forward.



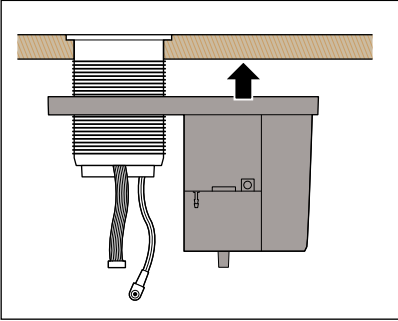
When flush mounting the Quva appliance, apply a thin layer of silicone sealant in the milled rim. Position the cylinder with pop-up housing from the top of the countertop through the hole. Make sure the control unit points towards the user (i.e., the Quva logo should be facing the user, and the sticker "FRONT" – located on the pop-up cylinder – will also indicate the side that should face forward).



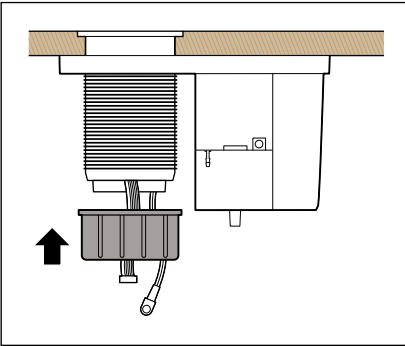
On the base frame, remove the foil from the sticker. This allows temporary fixing the base frame to the bottom of the countertop, making the installation process easier.



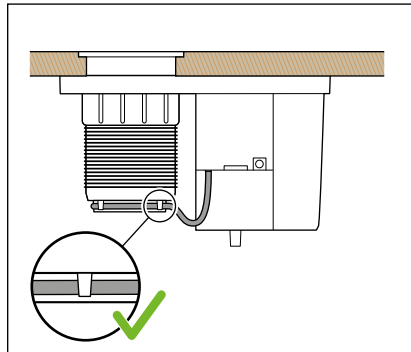
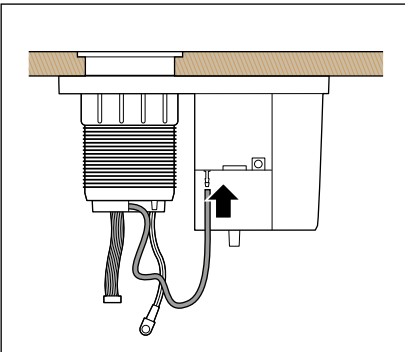
Slide the frame over the cylinder underneath the countertop. Press the frame against the bottom of the countertop; the sticker will now hold the base frame in place.



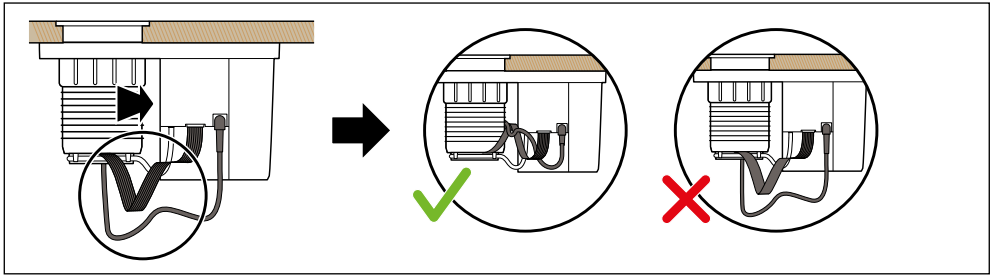
Place the lock ring over the cylinder. By turning the lock ring counterclockwise all the way up, fasten the base frame against the bottom side of the countertop.



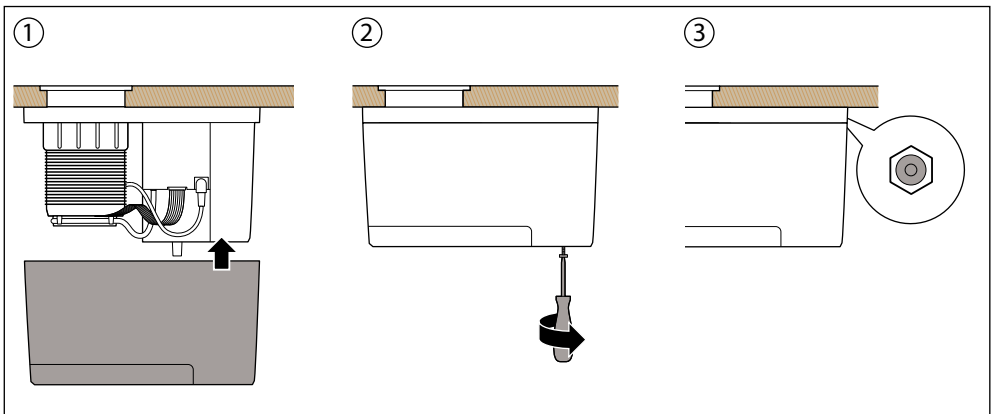
Re-position the vacuum hose on the protruding tube. Note, the tube is neatly arranged and held in place by three hooks. If required, the length of the hose can be increased by releasing it from one or more of the hooks. The required length will vary depending on the relative positioning of the cylinder versus the base frame. We recommend that you only release the length of the hose required and keep the rest fixed with the hooks.



Return the two electronics connectors to the matching sockets.



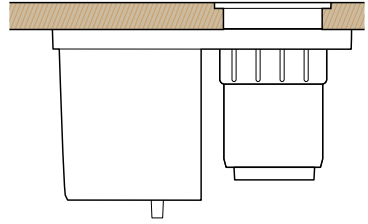
Place the housing over the frame and cylinder (1) and fasten the Phillips screw (2). Place the power adapter connector in the socket at the side of the base frame (3).



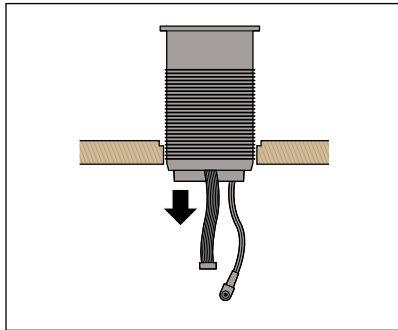
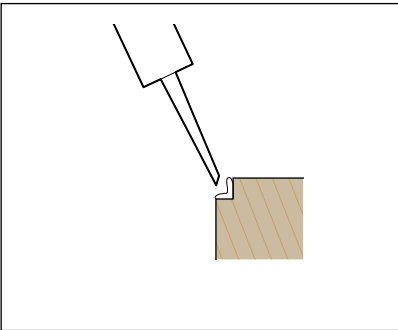
Plug the power adapter in the mains socket. A brief audio signal will follow.

SEQUENCE 2

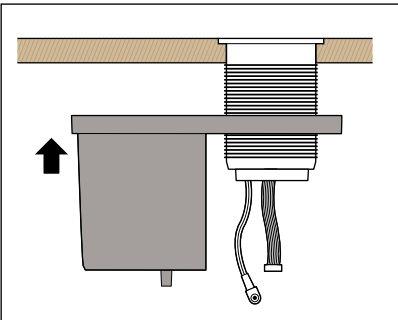
We recommend that you follow the sequence below when the frame cannot be placed with the connectors facing forward.



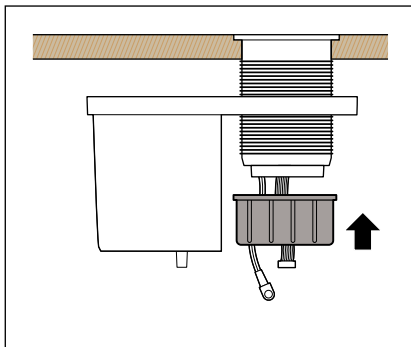
When flush mounting your Quva appliance, apply a thin layer of silicone sealant to the milled rim. Position the cylinder through the hole with the pop-up housing from the top of the countertop. Make sure the control unit points towards the installer (i.e., the Quva logo should be facing the user, and the sticker "FRONT" – located on the pop-up cylinder – will also indicate the side that should face forward).



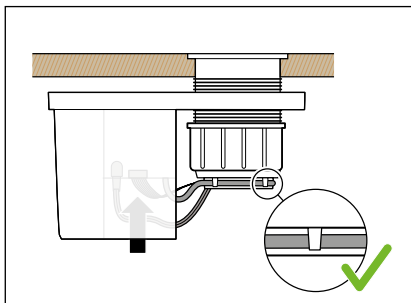
Slide the frame over the cylinder underneath the countertop. Press the frame against the bottom of the countertop; the sticker will now hold the base frame in place.



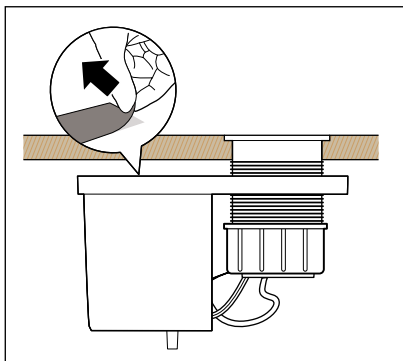
Place the lock ring over the connectors and the hose, but do not fix it in place.



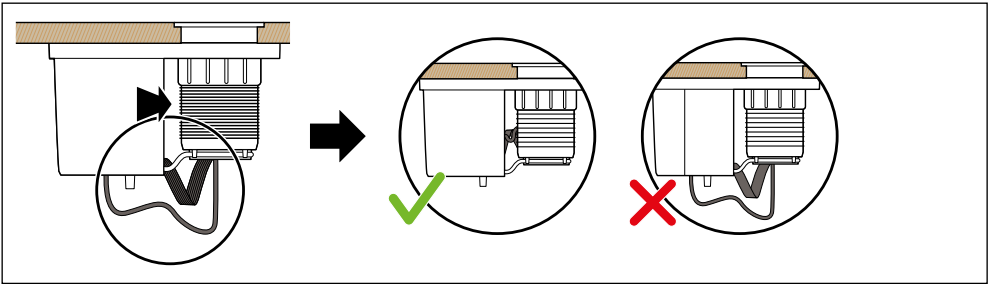
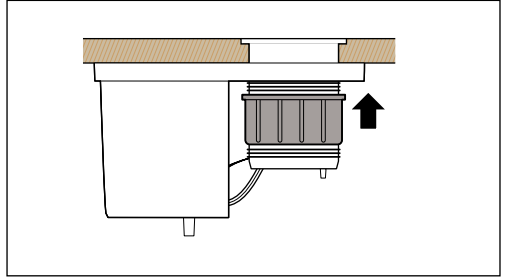
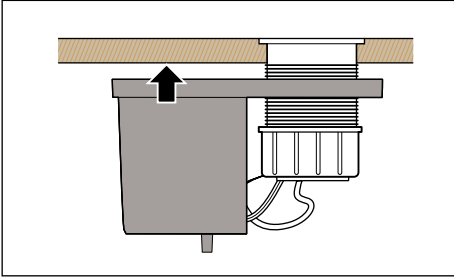
Re-position the vacuum hose on the protruding tube. Note, the tube is neatly arranged and held in place by three hooks. If required, the length of the hose can be increased by releasing it from one or more of the hooks. The required length will vary depending on the relative positioning of the cylinder versus the base frame. We recommend that you only release the length of the hose required and keep the rest fixed with the hooks.



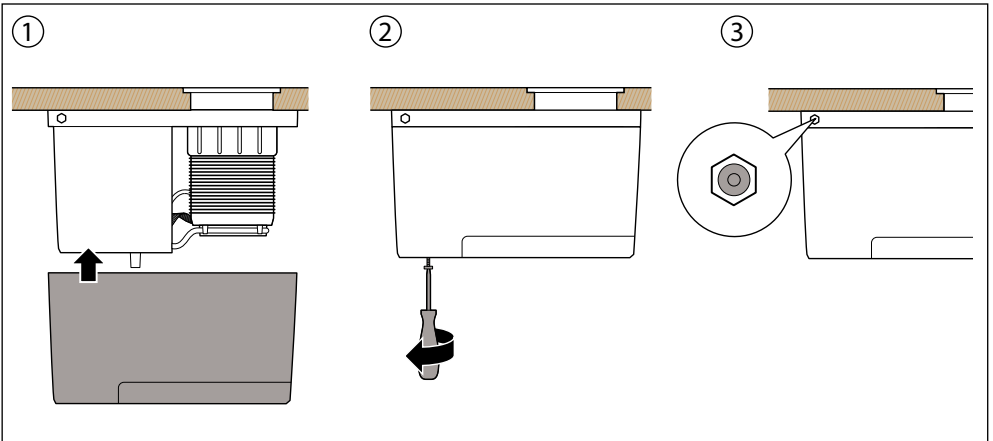
On the base frame, remove the foil from the sticker. This allows temporary fixing the base frame to the bottom of the countertop, making the installation process easier.



Place the lock ring over the cylinder. By turning the lock ring counterclockwise all the way up, fasten the base frame against the bottom side of the countertop.



Place the housing over the frame and cylinder (1) and fasten the Phillips screw (2). Place the power adapter connector in the socket at the side of the base frame (3).



Plug the power adapter into the mains socket. A brief audio signal will follow.

C

Confirming Proper Installation

Push the round steel cover positioned on the countertop, the appliance will pop-up and the control unit and vacuum head will appear. Pull out the vacuum head and hose to a length of approximately 30 cm | 12-inches.

Select "function II" on the control panel. The vacuum sealing function will start. Place the vacuum head on either a hard surface or in the palm of your hand. You should feel the suction. The appliance will switch off automatically. You can also switch off the device by pressing the "function II" button again.

The accessories starter pack is intended for the Quva owner and end-user of the appliance.

Quva kitchen products B.V.
Heuvellaan 50, 1217 JN Hilversum
The Netherlands
Telephone +31 881 441 600
info@quvaproducs.com

www.quvaproducs.com